

DECANTERS

# AQUADECANT® AD

FLOATING DECANTER

 SFA  
enviro

FLOATABLES REMOVING  
SYSTEMS

 Aquaturbo



## MAIN CHARACTERISTICS

Discharges the volume of clean water without disturbing the sludge blanket or floatable materials on the surface. Ideal for the SBR Process, Sludge Settling Tanks, Sludge Thickeners plus the general decanting process.



AQUADECANT® ADMC 3D

## ADVANTAGES

CAN ALSO BE EQUIPPED WITH A PUMP WHICH ALLOWS TO TRANSFER THE WATER FROM THE SBR TO A BASIN LOCATED AT A HIGHER LEVEL

MINIMAL SLUDGE BLANKET DISRUPTION

ADJUSTABLE FLOW RATE

AVOIDS DISCHARGE OF FLOATABLE MATERIALS

STRAIGHTFORWARD DESIGN + INSTALLATION

## COMPONENTS

- Comprises of a Stainless-Steel float
- Circular Type - 10 to 150 m<sup>3</sup>/h Capacity
- Rectangular Type - 150 to 3,000 m<sup>3</sup>/h Capacity
- Custom manufactured
- AISI 304/316 or special Materials

## OPTIONS

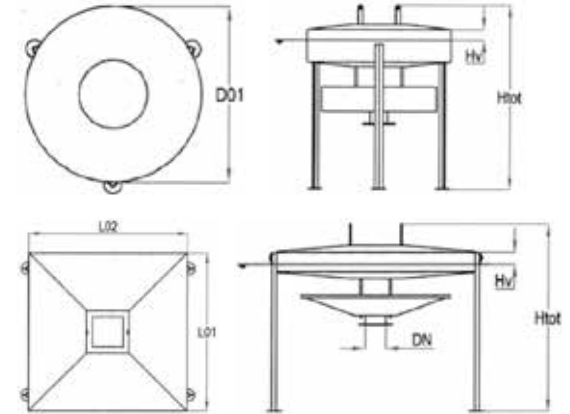
- Gravity and pump options are available with mechanical actuation to close the weir during the aeration and mixing phases preventing wastewater or activated sludge entering the discharge pipe.
- Flexible hose + mooring cables with springs
- Flexible hose + guide rails
- Hinged discharge pipe
- Telescopic discharge pipe



AQUADECANT® 2017 BOORTMALT

## FLOATING WEIR WITH DISCHARGE BY GRAVITY

TYPE AD	FLANGE CONNECTION	D01 (inch)	L01 (inch)	L02 (inch)	H <sub>v</sub> (inch)	H <sub>total</sub> * (inch)	MASS approx. (lbs)	GPM
AD 50-G	1,5" - 5"	30	-	-	3,9	51	176	220
AD 150-G	3" - 6"	49	-	-	4,7	63	330	660
AD 300-G	6" - 10"	-	79	79	4,7	79	1,276	1,320
AD 800-G	10" - 14"	-	91	91	4,7	79	1,276	3,520
AD 1500-G	12' -	-	90	138	7,1	98	1,804	6,600

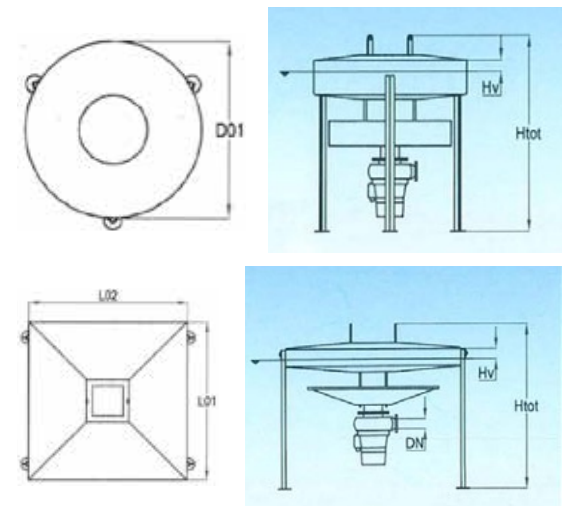


## FLOATING WEIR WITH DISCHARGE BY PUMP

TYPE AD	FLANGE CONNECTION	D01 (inch)	L01 (inch)	L02 (inch)	H <sub>v</sub> (inch)	H <sub>total</sub> * (inch)	MASS approx. (lbs)
AD 50-3/6	1,53 - 5"	30	-	-	2,4	59*	374**
AD 150-3/6	3" - 6"	49	-	-	3,1	71*	660**
AD 300-3/6	6" - 12"	-	79	79	3,1	98*	2,486**
AD 800-3/6	10" - 14"	-	91	91	3,1	98*	2,816**
AD 1500-3/6	12" -	-	90	138	3,9	110	5,060**

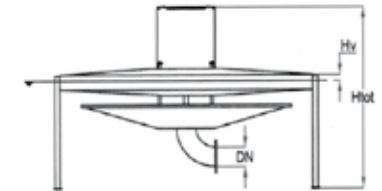
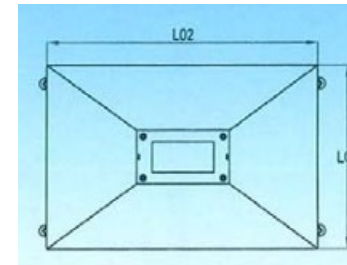
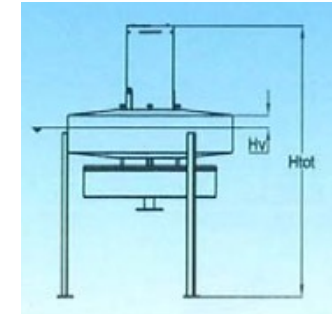
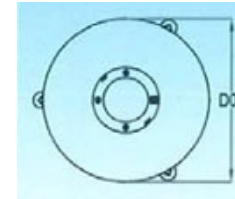
\* Depends on the type of discharge system. Extended supports are possible to stand on the basin floor at minimum water level.

\*\* Depends on the type of pump.



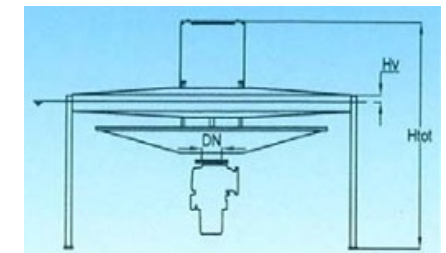
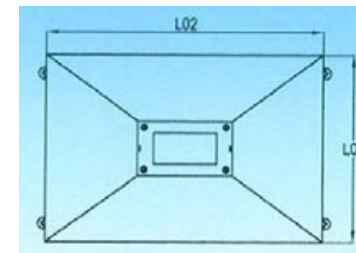
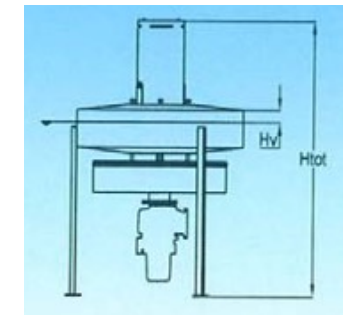
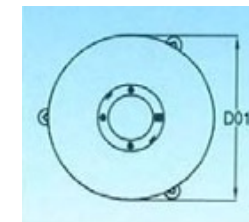
## FLOATING MECHANICALLY CLOSING WEIR WITH DISCHARGE BY GRAVITY

TYPE AD	FLANGE CONNECTION	D01 (inch)	L01 (inch)	L02 (inch)	H <sub>v</sub> (inch)	H <sub>total</sub> * (inch)	MASS approx. (lbs)
ADMC-A 150-G	3" - 6"	49	-	-	4,7	83	418
ADMC-A 300-G	6" - 12"	-	79	79	5,1	98	1,342
ADMC-A 800-G	10" - 14"	-	91	91	5,5	102	1,628
ADMC-A 1500-G	14" - 16"	-	90	138	5,9	122	1,837



## FLOATING MECHANICALLY CLOSING WEIR WITH DISCHARGE BY PUMP

TYPE AD	FLANGE CONNECTION	D01 (inch)	L01 (inch)	L02 (inch)	H <sub>v</sub> (inch)	H <sub>total</sub> * (inch)	MASS approx. (lbs)
ADMC-A 150-3/6	3" - 6"	49	-	-	4,7	83*	748**
ADMC-A 300-3/6	6" - 8"	-	79	79	5,1	98*	1,892**
ADMC-A 800-3/6	8" - 10"	-	91	91	5,5	102*	3,168**
ADMC-A 1500-3/6	10" - 12"	-	90	138	5,9	122*	3,817**



\* Depends on the type of discharge system. Extended supports are possible to stand on the basin floor at minimum water level.  
 \*\* Depends on the type of pump.

## A STEP AHEAD IN WATER TECHNOLOGY

[sfa-enviro.com](http://sfa-enviro.com)

 [@sfa\\_enviro](https://twitter.com/sfa_enviro)

